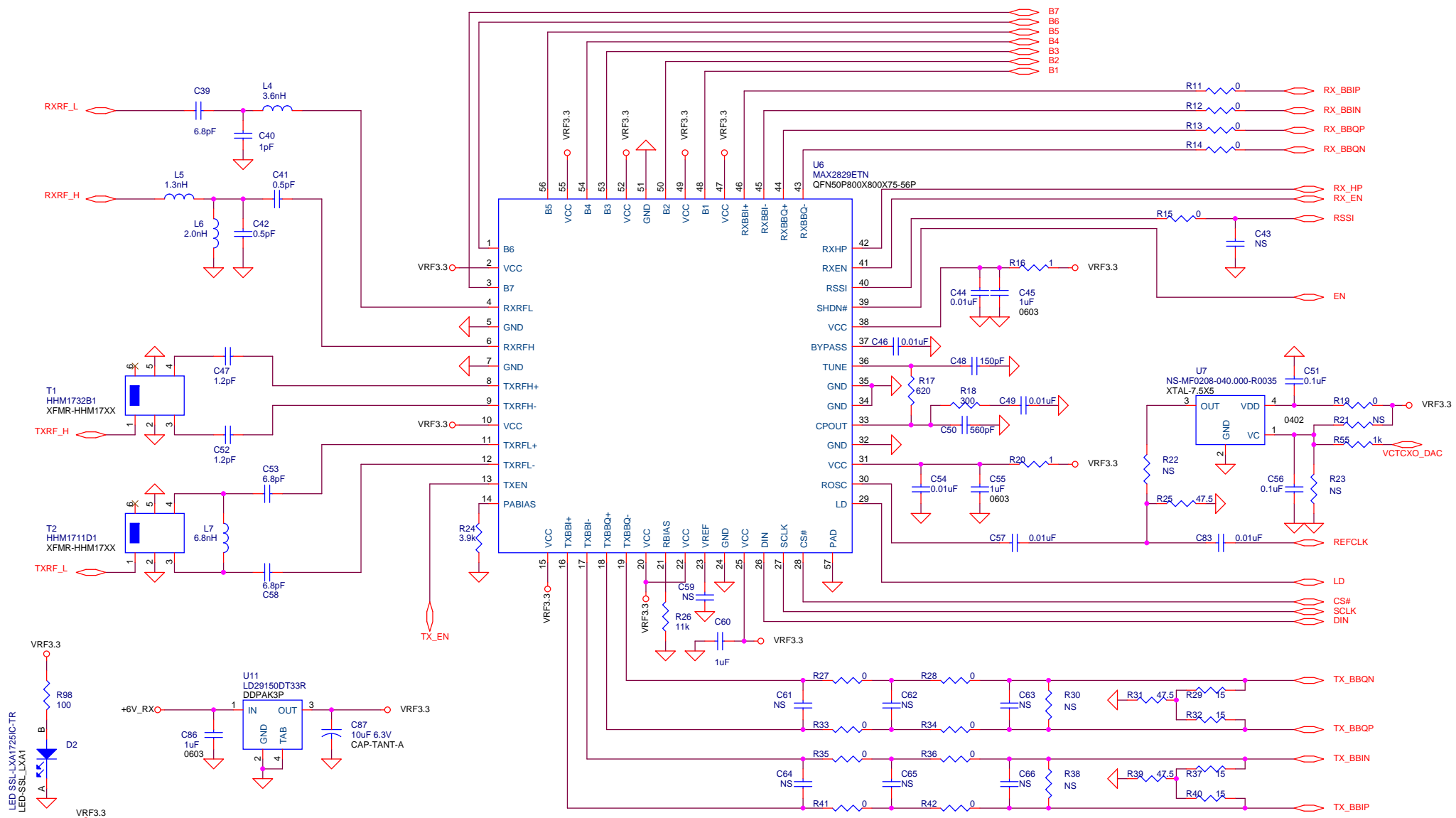
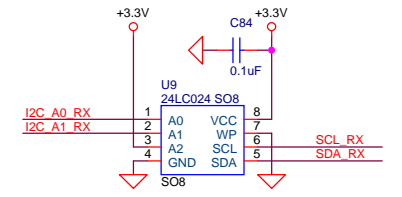
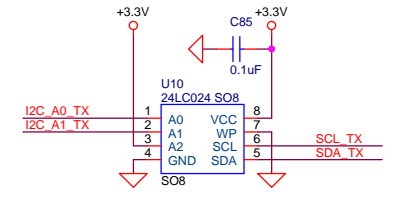
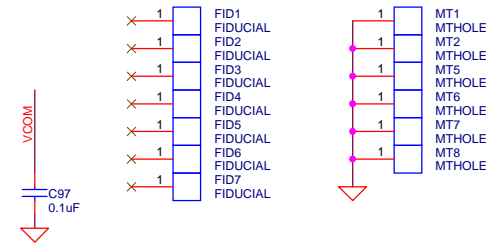
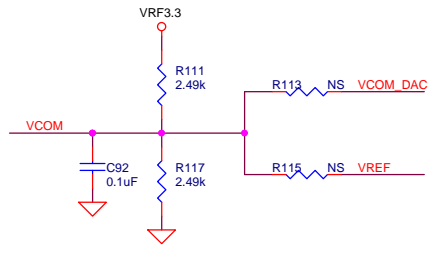
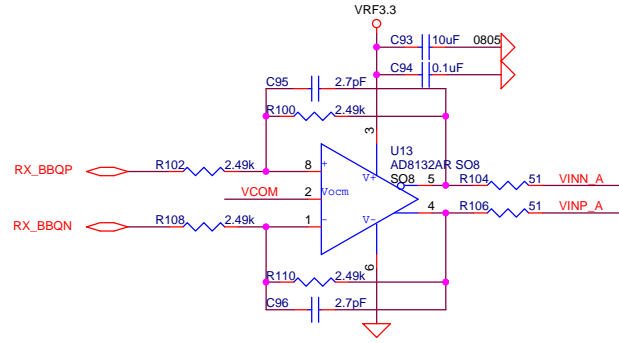
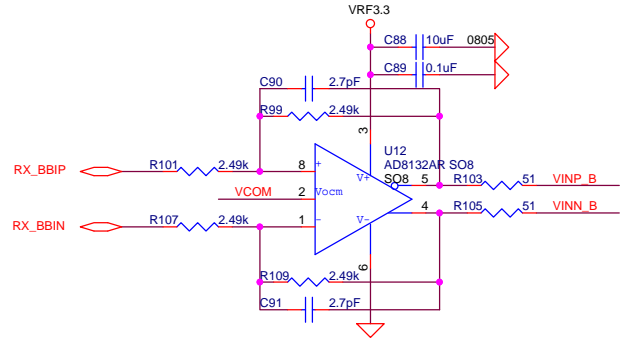
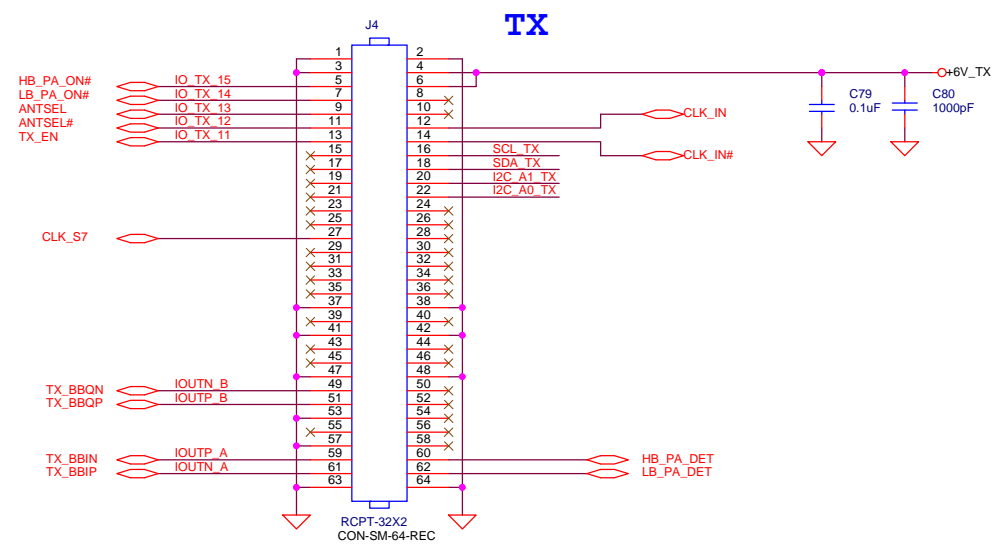
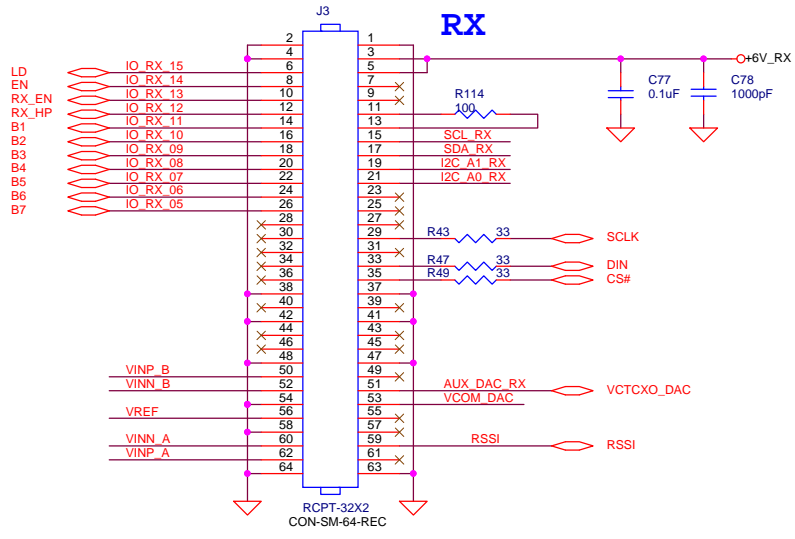


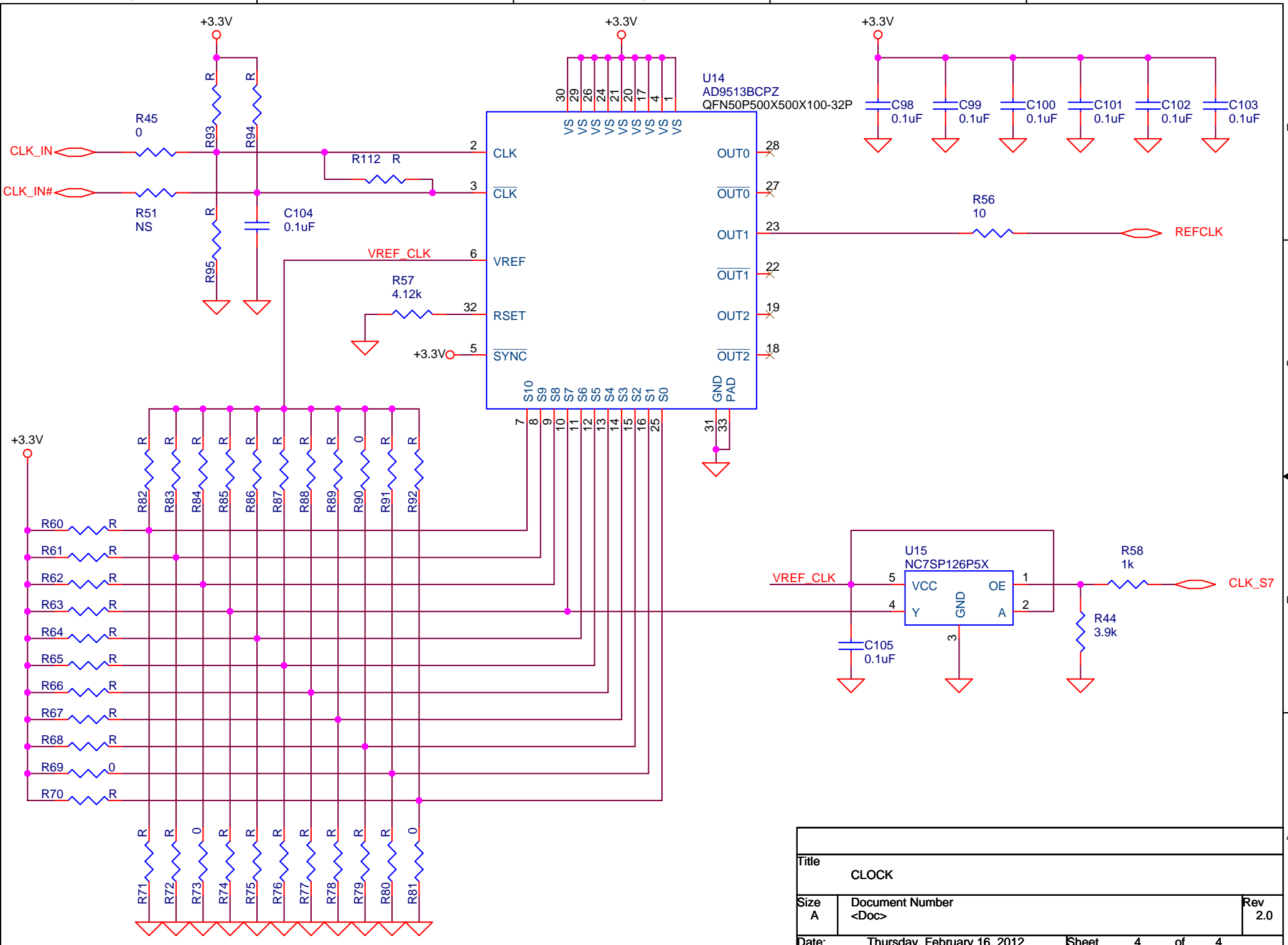
Title		
FRONTEND		
Size	Document Number	Rev
B	<Doc>	2.0
Date:	Friday, February 17, 2012	Sheet 1 of 4



Title		
MAX2829		
Size	Document Number	Rev
B	<Doc>	2.0
Date:	Thursday, February 16, 2012	Sheet 2 of 4



Title		
CON		
Size	Document Number	Rev
B	<Doc>	2.0
Date:	Thursday, February 16, 2012	Sheet 3 of 4



Title		
CLOCK		
Size	Document Number	Rev
A	<Doc>	2.0
Date:	Thursday, February 16, 2012	Sheet 4 of 4