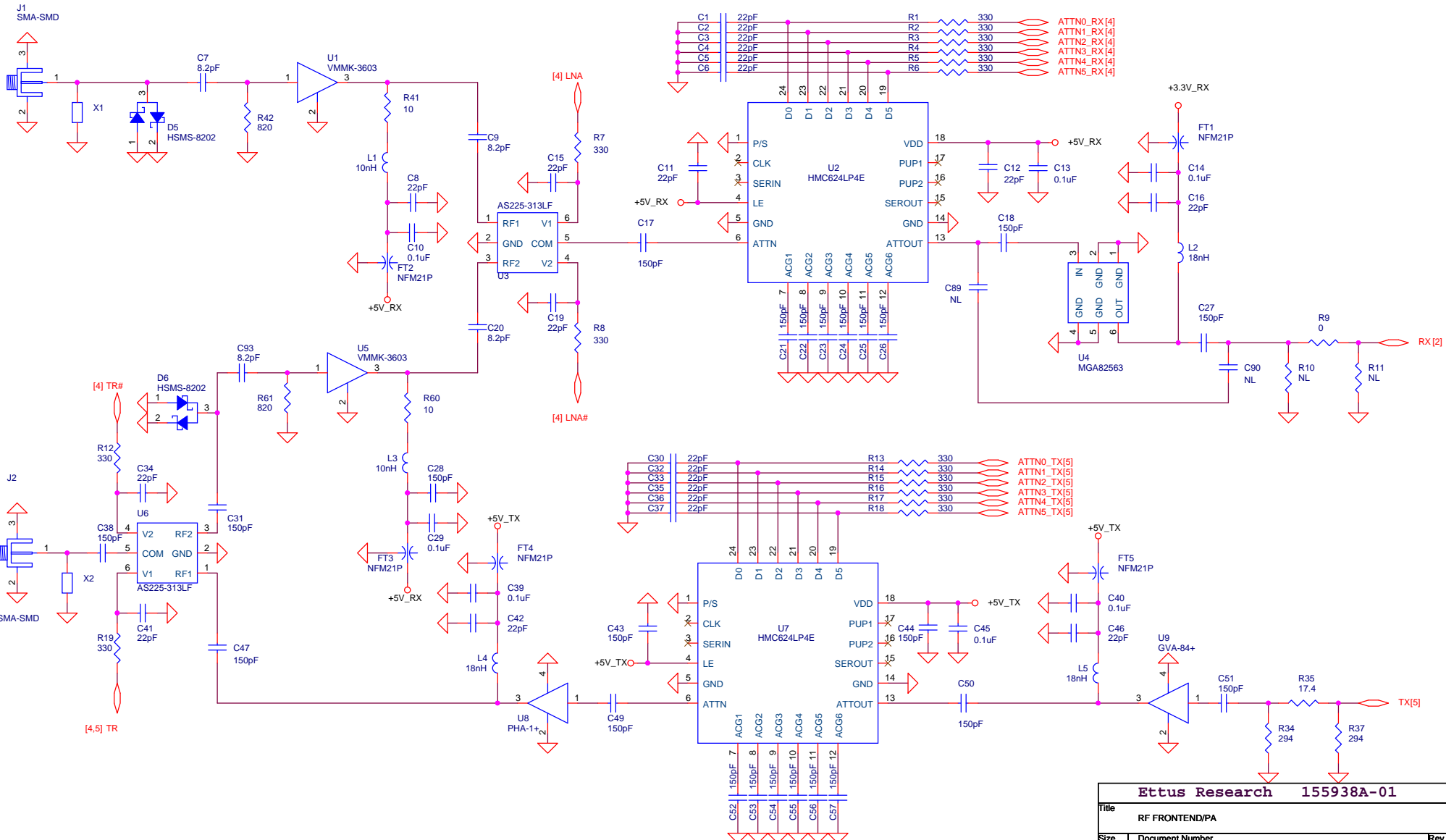


RF FRONTEND

RX ANT

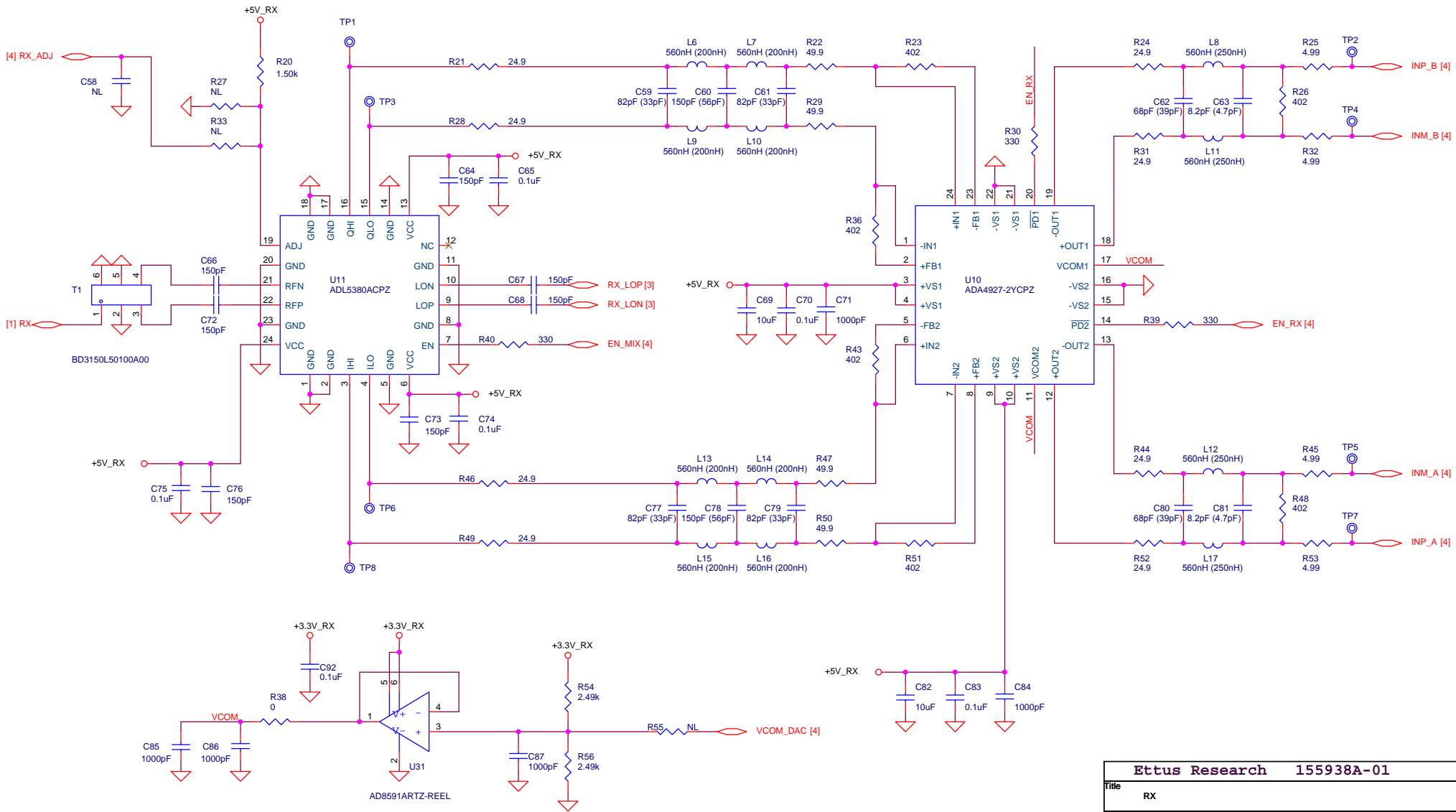
TX/RX ANT



Ettus Research 155938A-01	
Title RF FRONTEND/PA	
Size B	Document Number SCH, CBX USRP DAUGHTERBOARD (1.2-6GHZ)
Date: Monday, December 02, 2013	Sheet 1 of 6
Rev 6	

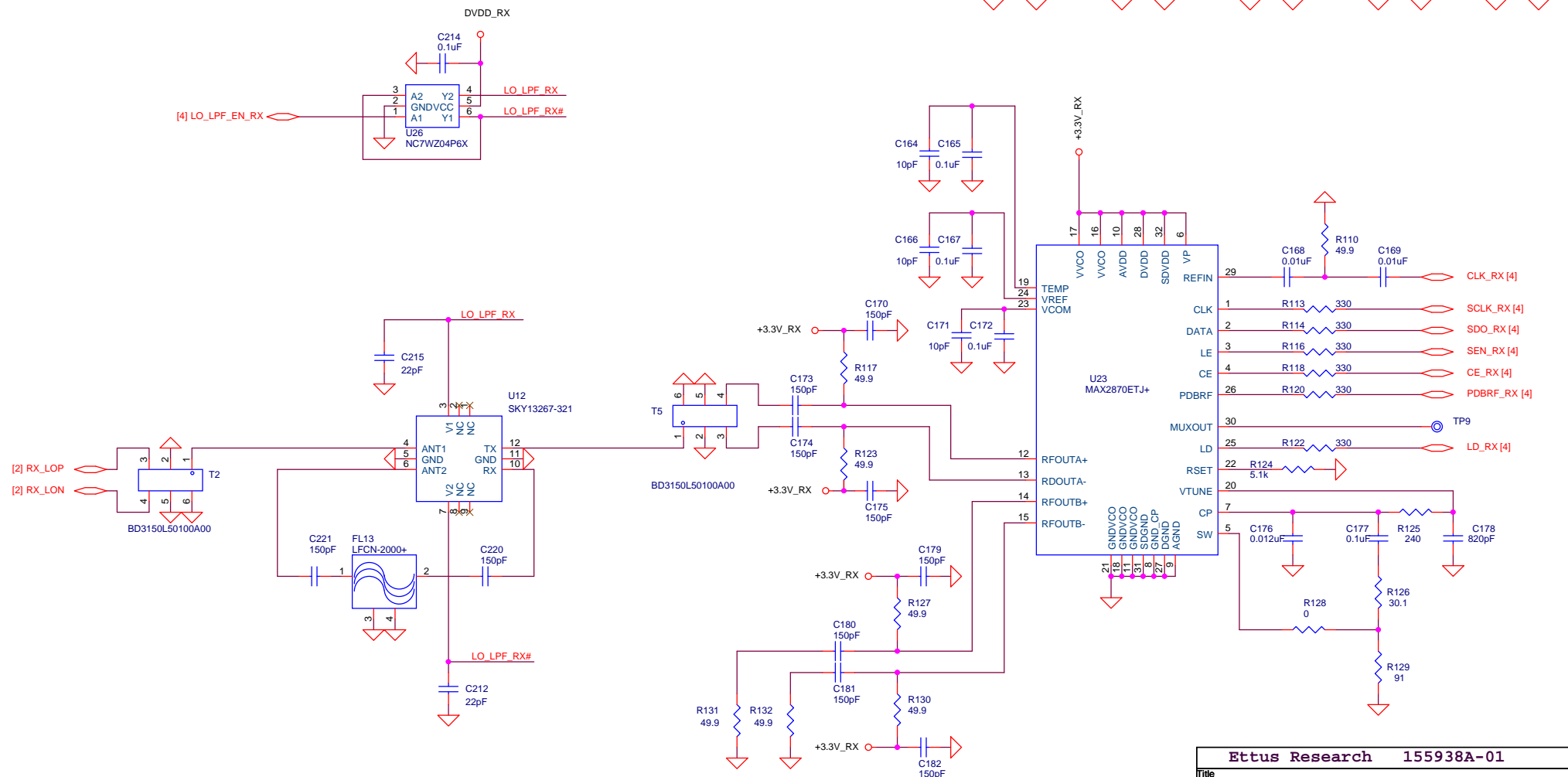
Fc = 40MHz/120MHz

Fc = 50MHz/120MHz

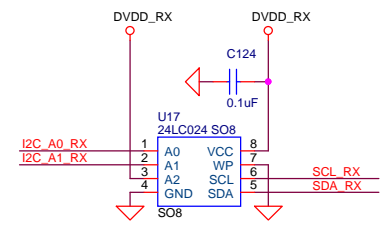
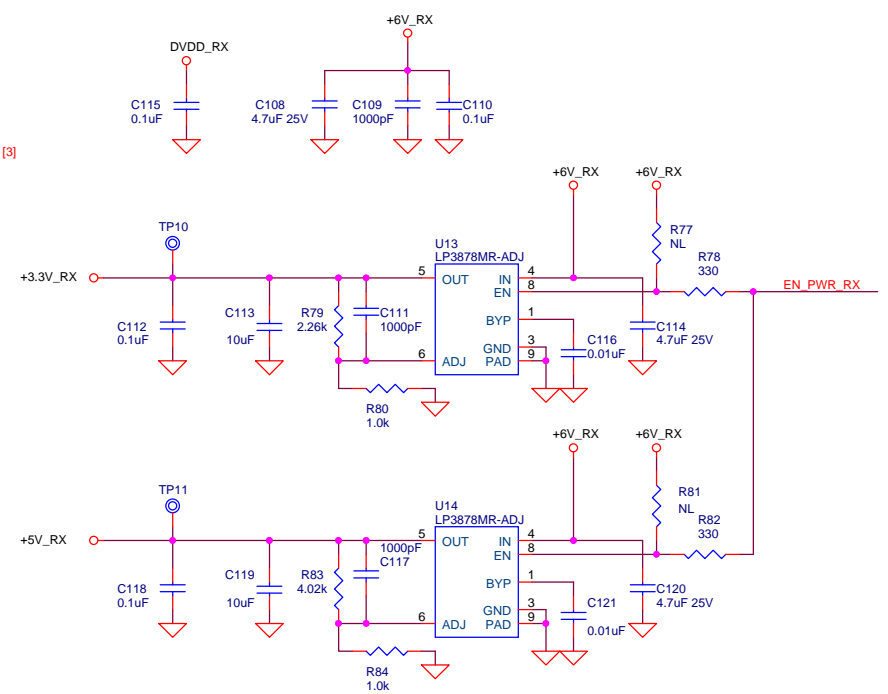
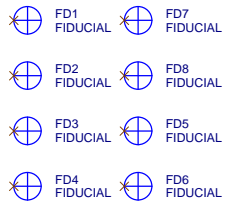
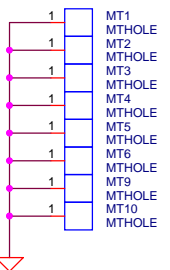
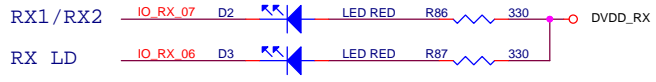
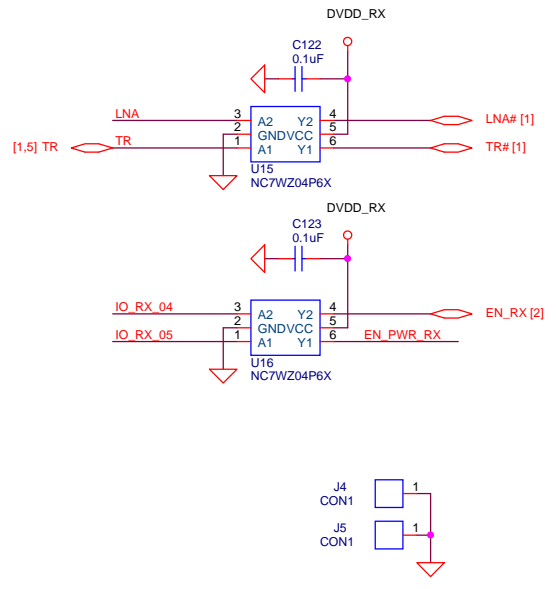
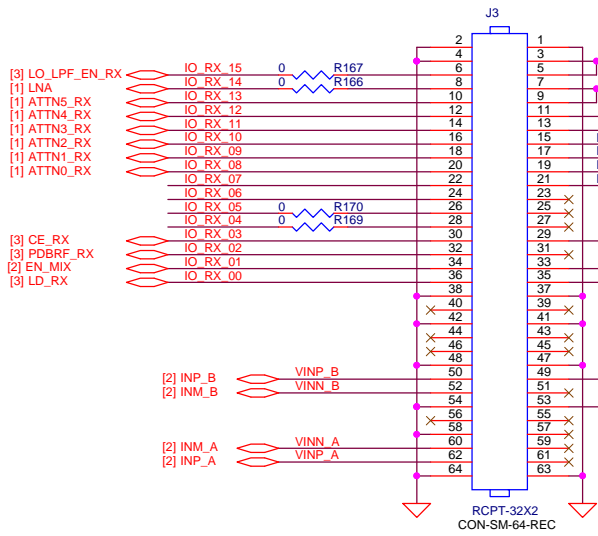


Ettus Research 155938A-01	
Title	RX
Size B	Document Number SCH, CBX USRP DAUGHTERBOARD (1.2-6GHZ)
Date:	Monday, December 02, 2013
Sheet	2 of 6

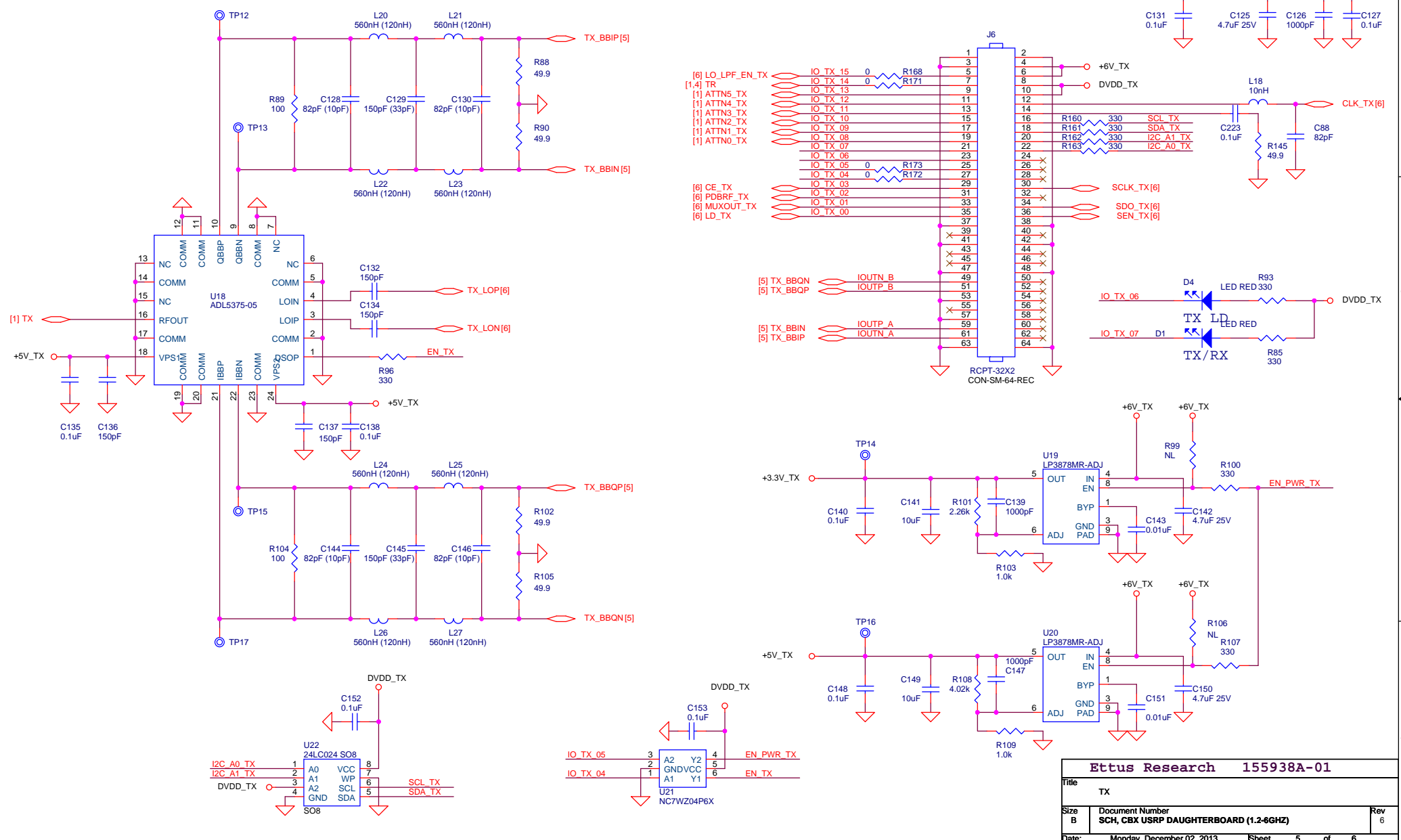
RX LO



Ettus Research 155938A-01	
Title RX LO	
Size B	Document Number SCH, CBX USRP DAUGHTERBOARD (1.2-6GHZ)
Date: Monday, December 02, 2013	Rev 6

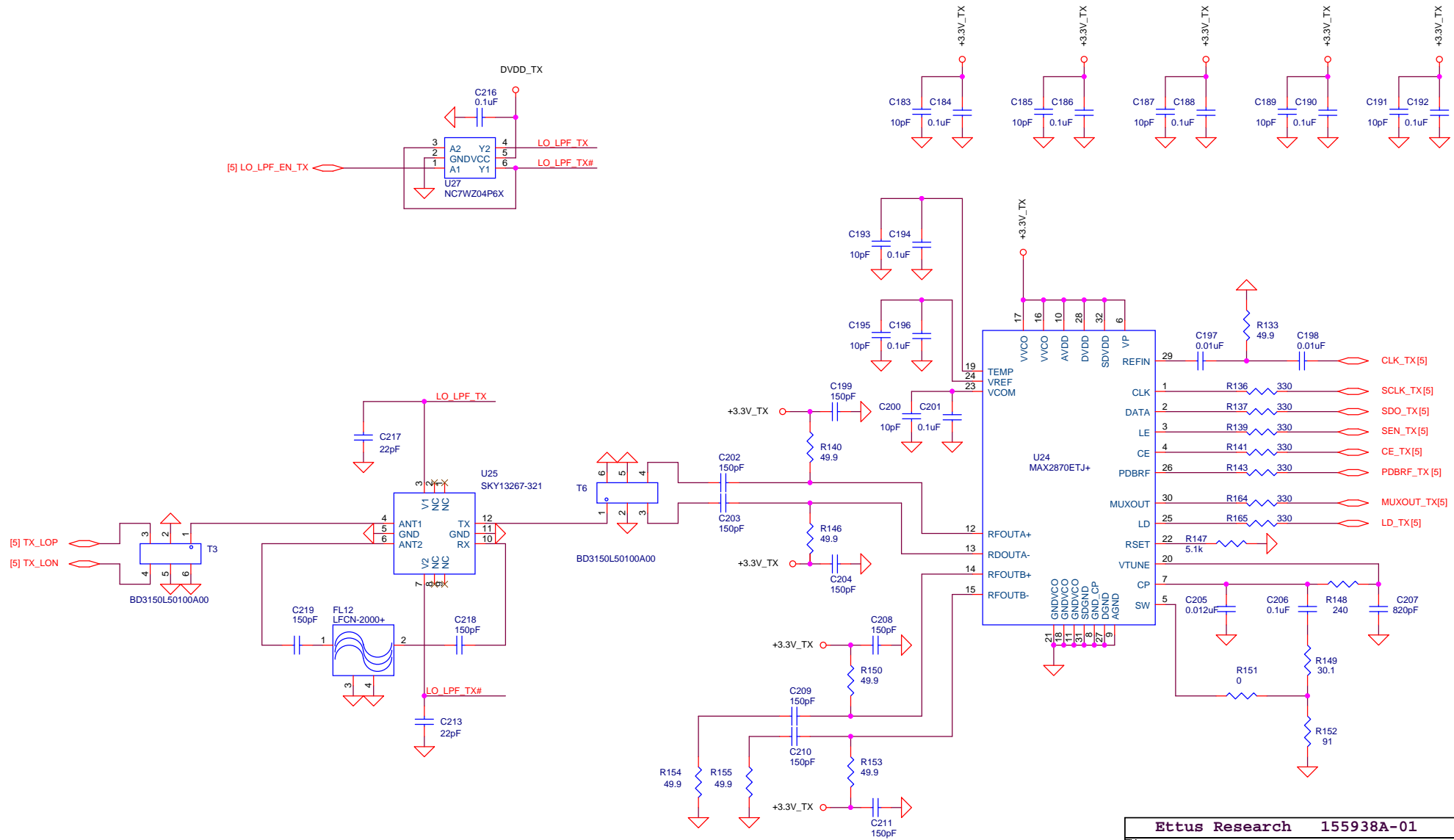


Ettus Research 155938A-01	
Title RX POWER	
Size B	Document Number SCH, CBX USRP DAUGHTERBOARD (1.2-6GHZ)
Date: Monday, December 02, 2013	Rev 6
Sheet 4 of 6	



Ettus Research 155938A-01		
Title TX		
Size B	Document Number SCH, CBX USRP DAUGHTERBOARD (1.2-6GHZ)	Rev 6
Date: Monday, December 02, 2013	Sheet 5	of 6

TX LO



Ettus Research 155938A-01	
Title TX LO	
Size B	Document Number SCH, CBX USRP DAUGHTERBOARD (1.2-6GHZ)
Date: Monday, December 02, 2013	Rev 6
Sheet 6	of 6